

PLEASE CHECK WWW.MOLEX.COM FOR LATEST PART INFORMATION

Part Number: [0365090074](#)
Status: **Active**
Overview: [din_41612](#)
Description: 2.54mm (.100") Pitch DIN 41612 R Style Female Receptacle, Right Angle, Through Hole, 0.60µm (24µ") Selective Gold (Au) Plating, 64 Circuits, without Mounting Clips or Sealing Strip, Lead free

Documents:

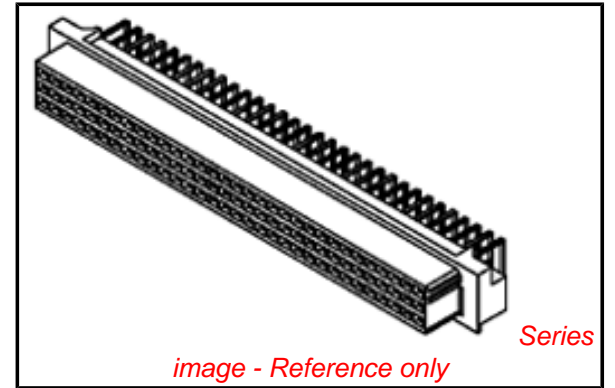
[3D Model](#) [Product Specification PS-36509-001 \(PDF\)](#)
[Drawing \(PDF\)](#) [RoHS Certificate of Compliance \(PDF\)](#)

General

Product Family	Backplane Connectors
Series	36509
Application	Daughtercard
Comments	No Mounting Clips, Secured with Tubular Rivets/ Cheesehead Screws. No Sealing Strip
Component Type	PCB Receptacle
Overview	din_41612
Product Name	IEC 603-2/DIN 41612
Style	R

Physical

Circuits (Loaded)	64
Circuits (maximum)	64
Circuits Detail	1,2,3,...32; a+b
Color - Resin	Gray
Durability (mating cycles max)	400
First Mate / Last Break	No
Guide to Mating Part	No
Keying to Mating Part	Yes
Material - Metal	Phosphor Bronze
Material - Plating Mating	Gold
Material - Plating Termination	Tin
Material - Resin	Polyester
Number of Columns	32
Number of Pairs	Open Pin Field
Number of Rows	2
Orientation	Right Angle
PC Tail Length (in)	0.118 In
PC Tail Length (mm)	3.00 mm
PCB Locator	No
PCB Retention	Yes
PCB Thickness Recommended (in)	0.063 In
PCB Thickness Recommended (mm)	1.60 mm
Packaging Type	Carton
Pitch - Mating Interface (in)	0.100 In
Pitch - Mating Interface (mm)	2.54 mm
Pitch - Term. Interface (in)	0.100 In
Pitch - Term. Interface (mm)	2.54 mm
Plating min: Mating (µin)	24
Plating min: Mating (µm)	0.60
Plating min: Termination (µin)	98
Plating min: Termination (µm)	2.5
Polarized to PCB	Yes
Stackable	No



EU RoHS

**ELV and RoHS
Compliant**
REACH SVHC
 Not Reviewed
**Halogen-Free
Status**

China RoHS



**Need more information on product
environmental compliance?**

Email productcompliance@molex.com
 For a multiple part number RoHS Certificate of Compliance, [click here](#)

Please visit the [Contact Us](#) section for any non-product compliance questions.

Search Parts in this Series
[36509Series](#)

Surface Mount Compatible (SMC)	No
Temperature Range - Operating	-55°C to +125°C
Termination Interface: Style	Through Hole

Electrical

Current - Maximum per Contact	1A
Data Rate	622.0 Mbps
Voltage - Maximum	250V AC (RMS)

Solder Process Data

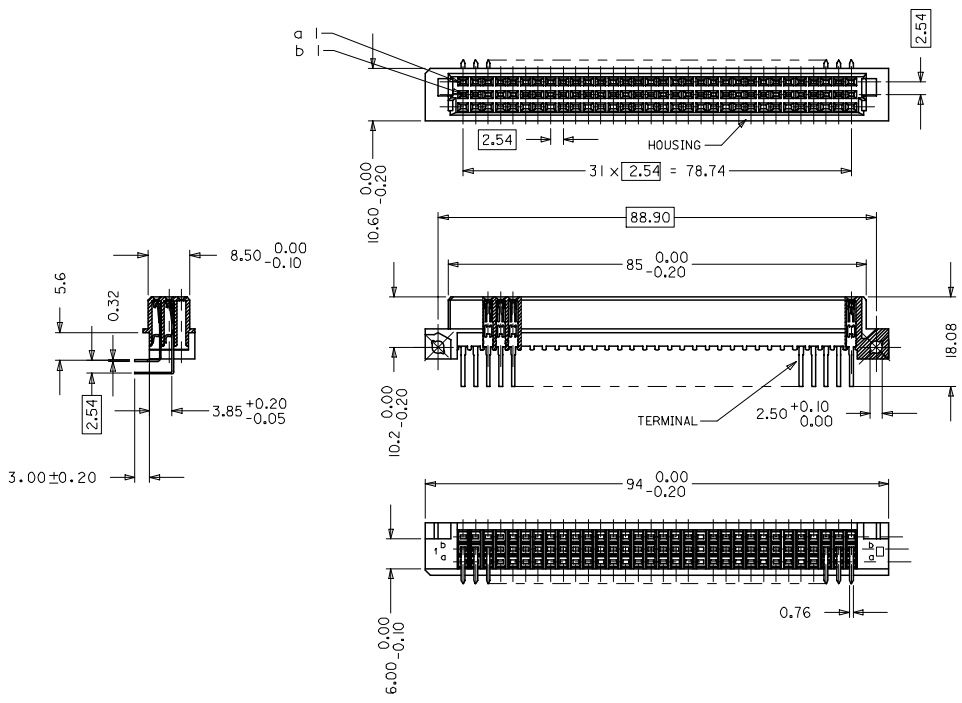
Lead-free Process Capability	Wave Capable (TH only)
------------------------------	------------------------

Material Info**Reference - Drawing Numbers**

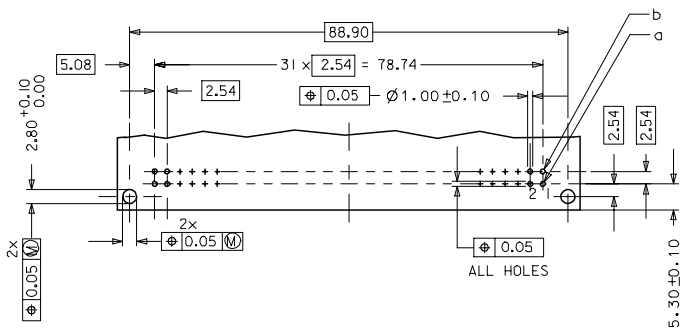
Product Specification	PS-36509-001
Sales Drawing	SD-36509-004

This document was generated on 05/13/2010

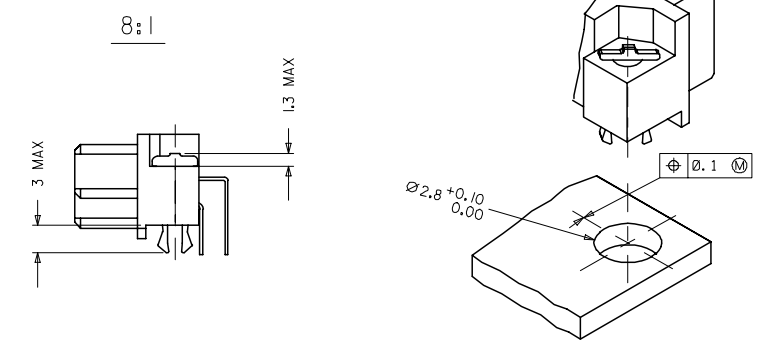
PLEASE CHECK WWW.MOLEX.COM FOR LATEST PART INFORMATION



RECOMMENDED PCB LAYOUT
COMPONENT SIDE



WITH MOUNTING CLIPS



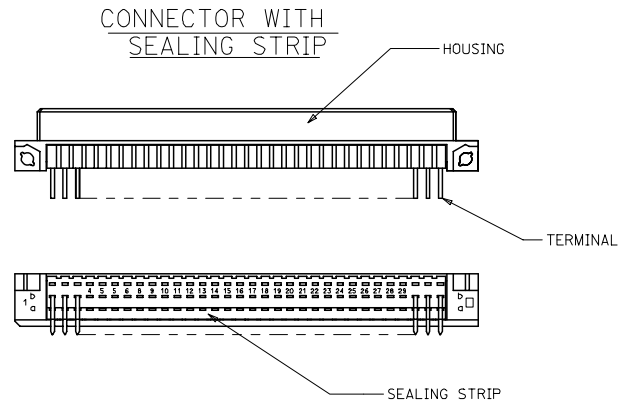
NOTES:

- 1) MATERIALS: THERMOPLASTIC POLYESTER, GLASS FILLED, UL94V-0. COLOUR: PEBBLE GREY RAL 7032
TERMINAL - PHOSPHOR BRONZE
MOUNTING CLIP: STEEL
- 2) FINISH: TERMINAL:-
CONTACT AREA
1. PERFORMANCE LEVEL 1: SELECTIVE GOLD (Au), THICKNESS = 1.1 MICROMETER OVER NICKEL, THICKNESS = 1.25 MICROMETER
2. PERFORMANCE LEVEL 2: SELECTIVE GOLD (Au), THICKNESS = 0.6 MICROMETER OVER NICKEL, THICKNESS = 1.25 MICROMETER
3. PERFORMANCE LEVEL 3: SELECTIVE GOLD (Au), THICKNESS = 0.3 MICROMETER OVER NICKEL, THICKNESS = 1.25 MICROMETER
TERMINATION AREA:
SELECTIVE TIN, THICKNESS = 2.5 MICROMETER OVER NICKEL, THICKNESS = 1.25 MICROMETER OVERALL
- 3) MOUNTING CLIP:-
TIN (Sn), THICKNESS = 5-10 MICROMETER, OVER NICKEL (Ni), THICKNESS = 2.5 MICROMETER
- 4) FOR NON MOUNTING CLIP OPTION, CONNECTOR TO BE SECURED WITH RIVETS: 2 TUBULAR RIVETS 2.5 x 0.3 ... DIN 7340
SCREWS: 2 CHEESEHEAD SCREWS M2.5 x ... DIN 84 AND 2 HEXAGONAL NUTS M2.5 DIN 934
- 5) MATERIAL NUMBER, BATCH CODE, UL AND CSA MARKING TO BE PRINTED ON THE CONNECTOR
- 6) CUT FACE OF TIP WITHOUT PLATING PERMITTED
- 7) PRODUCT SPECIFICATION : PS-36509-001

RoHS COMPLIANT

EC No: P007-0044 DRAWN BY: DRINGSATTI/MARAD 2006/10/10 CHECKED BY: CHIKKOSUDHAR 2006/10/11 APPROVED BY: APPR/SSUDHAR 2006/10/16 REV B1	QUALITY SYMBOLS ▽=0 ▽=0	GENERAL TOLERANCES (UNLESS SPECIFIED)		DIMENSION STYLE MM ONLY	SCALE 2:1	DESIGN UNITS METRIC	THIRD ANGLE PROJECTION
		4 PLACES ± 0.15 ± --- 3 PLACES ± 0.05 ± --- 2 PLACES ± 0.1 ± --- 1 PLACE ± 0.15 ± ---	INCH ± --- ± --- ± --- ± ---	DRAWN BY: SS 2000/11/17 CHECKED BY: GJLOWE 2000/11/17 APPROVED BY: GJLOWE 2000/11/17	DATE: 2000/11/17 DATE: 2000/11/17 DATE: 2000/11/17	TITLE ASSEMBLY, DIN 41612 R FEMALE, 64 POS A+D LOADED	MATERIAL NO. SEE CHART
DRAFT WHERE APPLICABLE MUST REMAIN WITHIN DIMENSIONS		THIS DRAWING CONTAINS INFORMATION THAT IS PROPRIETARY TO MOLEX INCORPORATED AND SHOULD NOT BE USED WITHOUT WRITTEN PERMISSION					

MATERIAL No	MOLEX ENG No	PERF LEVEL	PLATING	CONTACT SEQUENCE/ROW	MOUNTING CLIP	SEALING STRIP
36509-0073	MM-B2400-R962	1	Au+Ni	1,2,3,...32 a+b	NO	NO
36509-0074	MM-B2500-R962	2	Au+Ni	1,2,3,...32 a+b	NO	NO
36509-0075	MM-B2600-R962	3	Au+Ni	1,2,3,...32 a+b	NO	NO
36509-0079	MM-B2400-R912	1	Au+Ni	1,2,3,...32 a+b	YES	NO
36509-0080	MM-B2500-R912	2	Au+Ni	1,2,3,...32 a+b	YES	NO
36509-0081	MM-B2600-R912	3	Au+Ni	1,2,3,...32 a+b	YES	NO
36509-0085	MM-B2400-R962-101	1	Au+Ni	1,2,3,...32 a+b	NO	YES
36509-0086	MM-B2500-R962-101	2	Au+Ni	1,2,3,...32 a+b	NO	YES
36509-0087	MM-B2600-R962-101	3	Au+Ni	1,2,3,...32 a+b	NO	YES
36509-0091	MM-B2400-R912-101	1	Au+Ni	1,2,3,...32 a+b	YES	YES
36509-0092	MM-B2500-R912-101	2	Au+Ni	1,2,3,...32 a+b	YES	YES
36509-0093	MM-B2600-R912-101	3	Au+Ni	1,2,3,...32 a+b	YES	YES



RoHS COMPLIANT

EC No: 2007/0044 DRAWN BY: DRINGSATTI/MARAD 2006/10/10 CHECKED BY: CHIKKOSUDHAR 2006/10/11 APPROVED BY: APPR/SSUDHAR 2006/10/16	QUALITY SYMBOLS	GENERAL TOLERANCES (UNLESS SPECIFIED)	DIMENSION STYLE	SCALE	DESIGN UNITS	THIRD ANGLE PROJECTION															
	$\nabla=0$ $\nabla=0$	<table border="1"> <thead> <tr> <th></th> <th>mm</th> <th>INCH</th> </tr> </thead> <tbody> <tr> <td>4 PLACES</td> <td>± 0.15</td> <td>± 0.005</td> </tr> <tr> <td>3 PLACES</td> <td>± 0.05</td> <td>± 0.002</td> </tr> <tr> <td>2 PLACES</td> <td>± 0.1</td> <td>± 0.004</td> </tr> <tr> <td>1 PLACE</td> <td>± 0.15</td> <td>± 0.006</td> </tr> </tbody> </table>		mm	INCH	4 PLACES	± 0.15	± 0.005	3 PLACES	± 0.05	± 0.002	2 PLACES	± 0.1	± 0.004	1 PLACE	± 0.15	± 0.006	MM ONLY	2:1	METRIC	
		mm	INCH																		
	4 PLACES	± 0.15	± 0.005																		
3 PLACES	± 0.05	± 0.002																			
2 PLACES	± 0.1	± 0.004																			
1 PLACE	± 0.15	± 0.006																			
DRAFT WHERE APPLICABLE MUST REMAIN WITHIN DIMENSIONS	SEE CHART	DRAWN BY: SS 2000/11/17 CHECKED BY: GJLOWE 2000/11/17 APPROVED BY: GJLOWE 2000/11/17	TITLE: ASSEMBLY, DIN 41612 R FEMALE, 64 POS A+B LOADED	MOLEX INCORPORATED																	
B1	SIZE: A1	MATERIAL NO. SD-36509-004	DOCUMENT NO. SD-36509-004	SHEET NO. 2 OF 2																	